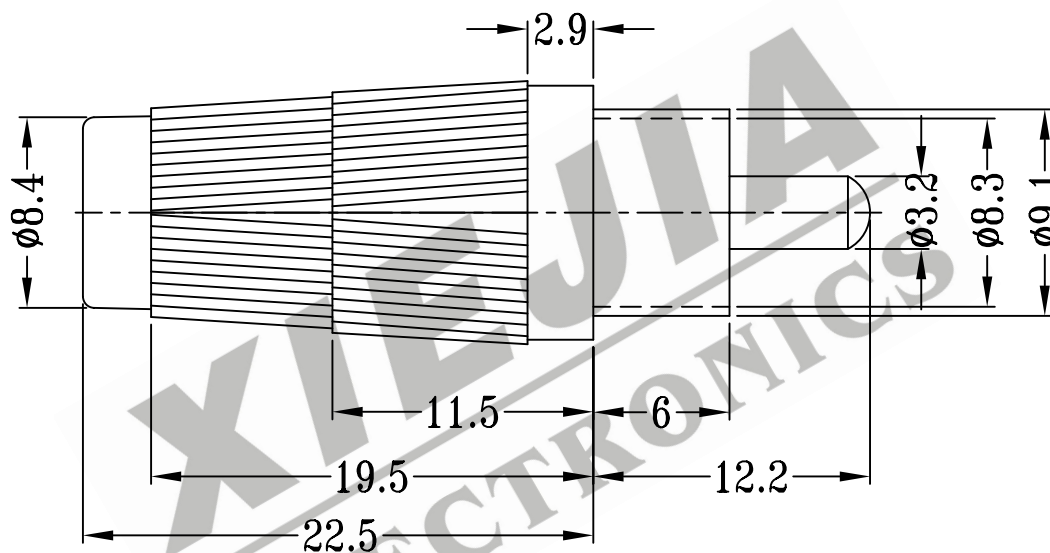


CAD FILE : Z:\LM\NEW\PRT\MP DP RP\RP321



8					TOLERANCE UNLESS SPECIFIED	SHENZHEN XIEJIA ELECTRONICS CO.,LTD.				
7										
6					WITHIN: 1.5±0.1mm OVER: 1.5±0.2mm	ISSUE	DATE	DESCRIPTIONS		APPD
5										
4					TITLE: AUDIO PLUG		UNIT : M M	DRWG NO : XJ-DR-RP321-00		
3					MODEL: RP-321		SCALE : 3:1	DWN.	ZHOUYU	2005-12-8
2					ALL MATERIALS MUST BE COMPLIANT TO ROHS		APPD.	CHK'D	FANGYING	2005-12-8
1								KANGXINAN	2005-12-8	
NO.	PART NAME	MATERIAL	QTY.	FINISHING						